

KME

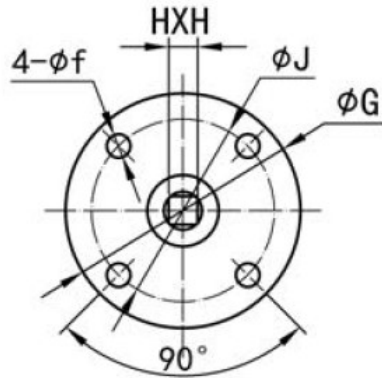
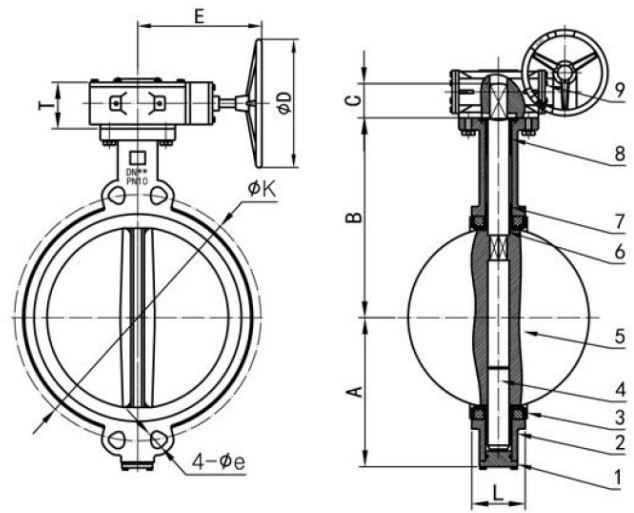
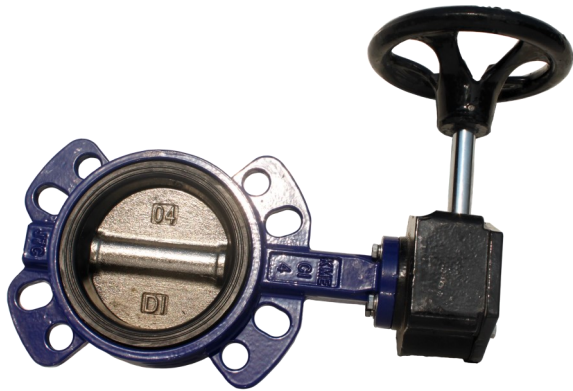
Industrial Distributors (PTY) Ltd



Value Country

Butterfly Valve Gearbox

(Nickel Plated / Stainless Steel)



SPECIFICATION

Working Pressure: 16 Bar

F to F DIM Acc. to ISO 5752 Series20

Top Flange Acc. to ISO5211

Fitting between flanges:\

Material

No	Name	Material
1	Stub	GG25
2	Body	GG25
3	Seat	EPDM
4	Bottom Shaft	SS410
5	Disc	GGG40
6	Top-Shaft	SS410
7	Bushing	PTFE
8	O-Ring	NBR
9	Gearbox	

Dimensions

DN	A	B	C	L	T	E	øD	PN10		PN16		CLASS 125/150		øG	øJ	4-øf	□ H	Top Flange
								øK	øe	øK	øe	øK	øe					
50 - 300	-	-	-	-	-	-	-	-	-	-	-	-	-	-	-	-	-	-
350	368	277	45	78	75	227	285	460	22	470	26	476	29	150	125	4 - ø14	22	F12
400	400	313	51	102	105	270	285	515	26	525	30	540	29	150	125	4 - ø22	27	F12
450	422	324	51	114	105	270	285	565	26	585	30	578	32	210	165	4 - ø22	27	F16
500	479	372	64	127	150	350	300	620	26	652	33	635	32	210	165	4 - ø22	36	F16
600	562	444	70	154	150	350	300	725	30	770	36	749	35	210	165	4 - ø22	36	F16